

# HEATREST WITH PILLOW



## USER'S MANUAL

Compatible with DVD/VCD/CD/MP3/MP4/Divx/CD-RW

Enjoyable in Car entertainment

Home theater Digital technology Perfect enjoyment

Please read the manual carefully before using and keep it well for your future reference .

Important instruction for safety :

### ▲ Precautions:

For your safety, do not turn on, watch or operate the unit while driving . In some countries and regions, it may be against the laws

The product is comprised of many precision electronic components. Self- renovation or disassembling may cause malfunction to the device.

### Note:

To reduce the risk of fire or electric shock , do not expose this product to rain or moisture.

High voltage inside !Do not open or dismantle the unit. Do not repair yourself. Refer servicing to qualified personal .

The product is a laser product. Make sure to read instruction manual before operating.

Do not try to open the covers to avoid direct laser radiation. When the cover of the unit is opened or the interlocking system gets unlocked, the laser light can be visible. Direct vision of laser beam is hazardous to your eyes.

In order to prolong the life of the unite which has a large scale of integrate circuits and precision pick-up device. Frequent Turn on/off might damage the unit. More than 5 seconds interval is required.

Donot install components in area which are susceptible to rain ,moisture, direct sunlight,extrem heat or cold or excessive dust dirt or humidity.

The device is an instrument of high precision and sensitivity. Do not wipe it with your hand or tissue.

To avoid a short circuit, when replacing the fuse, unplug the power cord first

Do not place remote controller in extreme heat or cold

Do not attempt to clean the DVD optical reader as it might affect its ability to read the discs

### ※Note :

**LCD maybe have a few color dots, which is common for the matrix display technology**

and does not indicate defects or faults.

## Content

1.Precaution -----	1
2.Content -----	2
3.Features-----	3
4.Specification of Buttons-----	4
5.Specification of “M” button-----	5
6.Specification of Main page & DVD mode -----	6
7.Specification of TV & AV mode -----	7
8.Specification of IR transmitter & Calibration-----	8
9.Specification of remote controller -----	9
10.Accessories & method of installation -----	10
11.Trouble shooting -----	11
12.Technical Data-----	12

## 1.Features

- ☑Ease of installation, No hazardous design
- ☑Adjusting steel tube space between 130mm to 180mm. To meet installing requirement of seat, diameter of steel tube can be replacing from 10mm to 12mm
- ☑The display unit had built in DVD player, USB,SD/MMC/MS, Game
- ☑Built in Touch Screen (Optional)
- ☑Built in TV (Optional)
- ☑Built in wireless IR Transmitter
- ☑Input Channels: One AV Input
- ☑AV Output channels: one AV output, Stereo Infrared Transmitter. Wireless infrared headphone (optional)
- ☑Offer earphone socket. General earphone (optional)

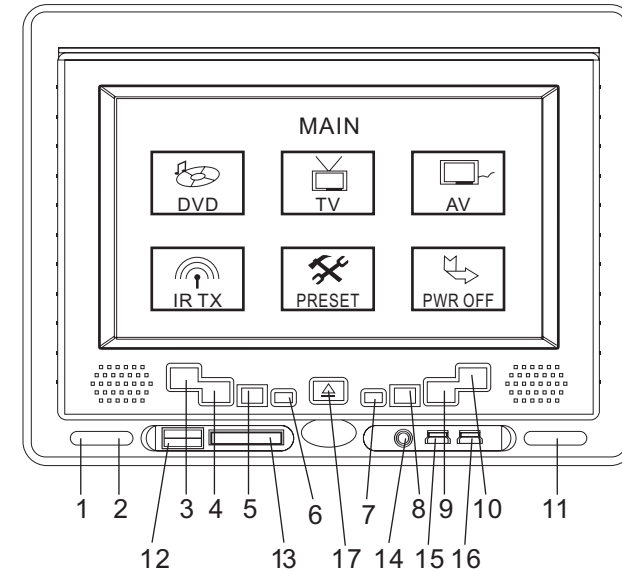
In all, there are four kinds of functions for your choice as below :

NO.	Basic Function
1	DVD+USB+SD+MMC+MS+Game
2	DVD+USB+SD+MMC+MS+Game +TV (PAL/NTSC/SECAM)
3	DVD+USB+SD+MMC+MS+Game+Touch Screen
4	DVD+USB+SD+MMC+MS+Game +Touch Screen+TV(PAL/NTSC/SECAM)



3

## DVD Mode :



- |                        |                       |
|------------------------|-----------------------|
| 1. Window of receiving | 9. M (Menu)           |
| 2. Power Light         | 10. Turn On/Off       |
| 3. Play/Pause          | 11. IR TX             |
| 4. Stop                | 12.USB                |
| 5. Vol -               | 13.SD/MMC/MS          |
| 6. Previous            | 14.Earphone           |
| 7. Next                | 15.Main joystick      |
| 8. Vol+                | 16.Subsidiary jostick |
|                        | 17.Open               |

Note: 1) When it is kept the DVD mode, the functions are shown as above and “M” can choose your desirable mode and hide it .

2)When it is kept the TV mode, the functions as below:

- |             |           |
|-------------|-----------|
| 3. Mute     | 4. Search |
| 6. Previous | 7.Next    |

1,2,5,8,9,10,11 -----all buttons have same functions as DVD mode

3) When it is kept the AV mode, the functions as below:

3. Mute

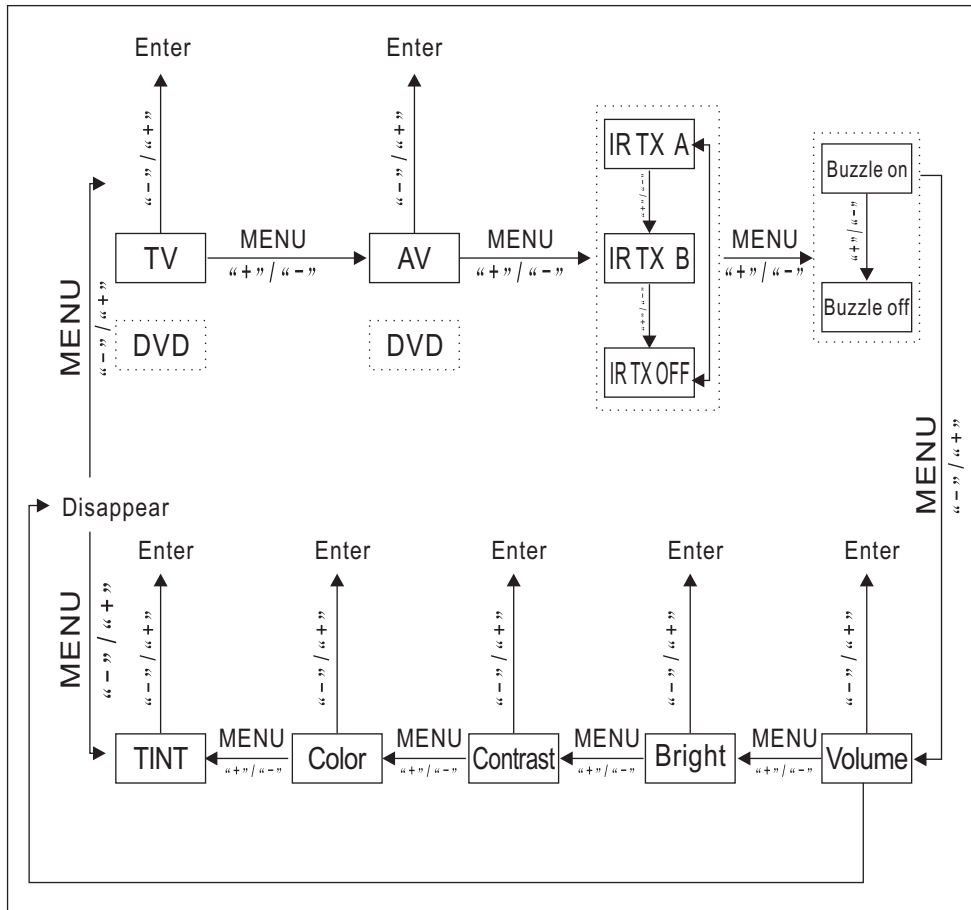
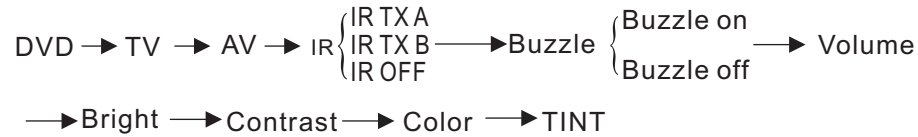
5,8,9,10-----all buttons have same functions as DVD mode

4,6,7-----all buttons have not any functions in AV mode

4

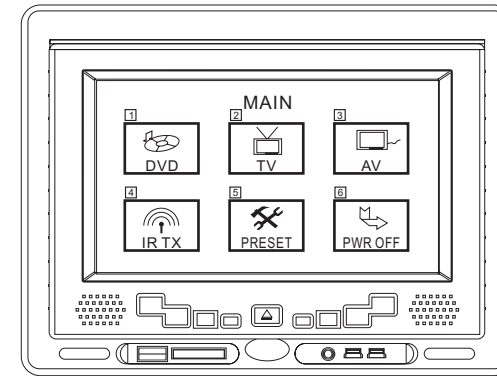
● The frame of “M” button

Main page:

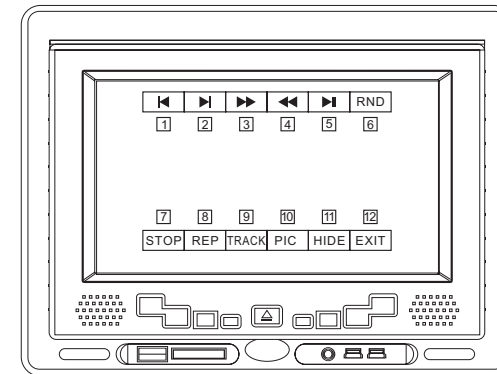


Note:

- 1) Press “ M ” and “ +/- ” at the same time to enter according mode.
- 2) Generally speaking, Press “ +/- ” can add/reduce volume except below:  
 A. IR TX mode, use “ +/- ” to choose IR TX A or IR TX B or IR TX off .  
 B. Buzzle mode, use “ +/- ” to choose Buzzle ON or OFF.

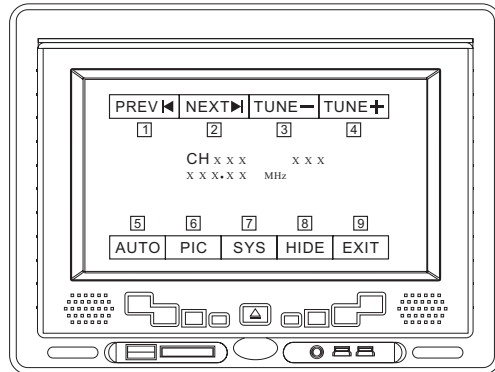


- |          |           |              |
|----------|-----------|--------------|
| 1. DVD   | 2. TV     | 3. AV        |
| 4. IR TX | 5. PRESET | 6. POWER OFF |



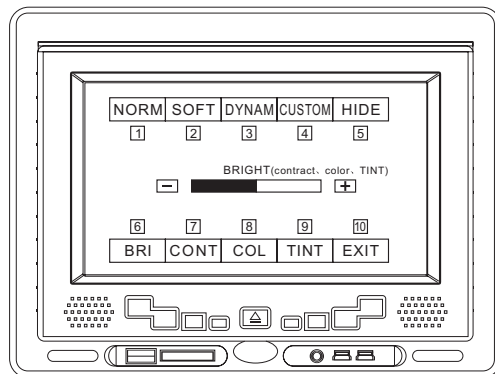
- |                 |               |                  |
|-----------------|---------------|------------------|
| 1. Previous     | 2. Next       | 3. Fast backward |
| 4. Fast forward | 5. Play/Pause | 6. RND           |
| 7. Stop         | 8. Repeat     | 9. Track         |
| 10. Picture     | 11. Hide      | 12. Exit         |

## TV mode:



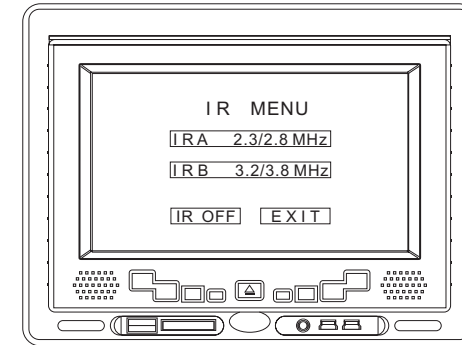
- |                               |            |
|-------------------------------|------------|
| 1. Previous                   | 2. Next    |
| 3. Fre-                       | 4. Fre+    |
| 5. Auto: Search               | 6. Picture |
| 7. System: PAL/<br>NTSC/SECAM | 8. Hide    |
|                               | 9. Exit    |

## AV mode:



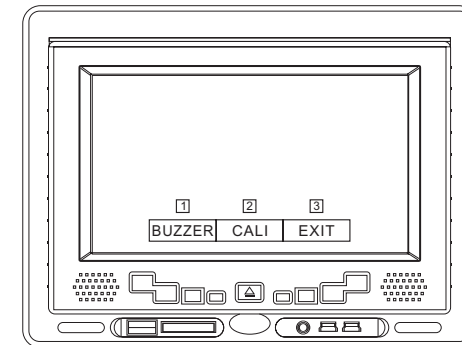
- |             |               |
|-------------|---------------|
| 1. Normal   | 2. Soft       |
| 3. Light    | 4. Memo       |
| 5. Hide     | 6. Brightness |
| 7. Contrast | 8. Color      |
| 9. Tone     | 10. Exit      |

## IR TX menu:

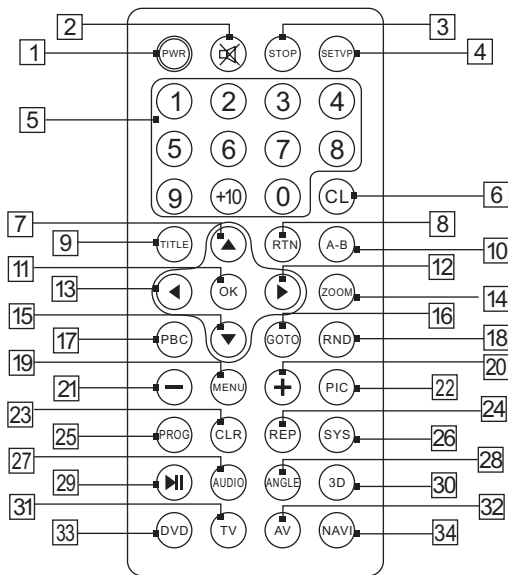


- Note: choose your desired IR TX A/IR TX B and switch your earphone at the same time

## Parametre setup mode:



- 1 Buzzer on/off
- 2 Calibration: if button of touch screen isn't sensitive or big setover between point of finger of finger touch and effective space of touch, please press this button to adjust, use point of pen or soft material to gently touch the center of cross cursor of screen for 2 seconds and move cursor to angle of screen one by one
- 3 EXIT: exit parameter setup mode and back main page



1. Power on/off
2. Mute on/off
3. Stop/Search
4. Menu of DVD setup parameter
5. Number button
6. Erase present operation and back to DVD mode
7. Cursor to up/fron song/front channel
8. Back:back to previous menu of disc
9. Title:back to main menu of disc
10. A-B:Set section to repeat and play
11. Confirm:confirm all operations
12. Cursor to right/fast forward /Fre+

13. Cursor to left/fast backwark/Fre-
14. Zoom:enlarge or reduce picture
15. Cursor to down/next song/next channel
16. Chose to play from one paragraph/song/time to another
17. Back to menu of disc
18. Stochastic play
19. Menu
20. VOL+/analog signals of picture parameter+/confirm
21. VOL-/analog signals of picture parameter-/confirm
22. Switch of picture mode(normal、 soft、 bright、 memo)
23. Erase programme that compile by user
24. Repeat
25. Programme
26. Switch of TV system
27. Switch of sound channel
28. Angle:chose different angle to look(some disc hasn't this function)
29. Pause/Play
30. Sound effect:enter sound effect mode and chose adjustable menu
31. Hot button of TV:enter TV mode directly
32. Hot button of AV:enter AV mode directly
33. Hot button of DVD:enter DVD mode directly
34. Hot button of GPS:enter GPS mode directly

### ● Check the accessories

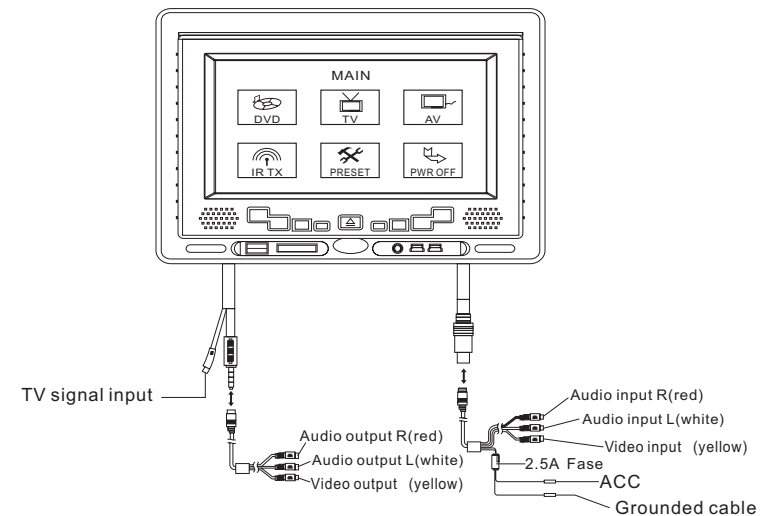
Please check if all the accessories are here as the list below before use:

Power line	1
Audio/Video input cable	1
12mm steel tube	2
Remote controller	1
User's Manual	1

### ● Installation and connection method

Please make sure of suitability of the configuration and the size . Using the suitable accessories and tools in installation or disassembling installation methods:

- Step 1: Unloading the original pillow
- Step 2: Selecting right installation steel tube matches with the original frame while installing the monitor with DVD player, then adjusting the steel tube to right position
- Step 3: Treading the power cord and the A&V cord through the steel tubes on the backside of the seat
- Step4: Fixing the pillow and adjusting freely by driver's requirements



Warmhearted prompt : Adjusted steel pipe spacing, the steel pipe root and the rear part must simultaneously stress and dynamics and the direction must maintain consistently .

The degree of opening the bin gate do not surpass 85 degree

**Note: This machine is suitable to some type of the car but not all the types.**

## ● Trouble shooting

Please consult the trouble shooting sheet to deal with these problems when you are in trouble:

Please take out the protect card at first before reading DVD

1) The player can not read USB/SD/MMC/MS

Please make sure to take out the disc first , then try again

2) Excursion of Touch Screen

Please press “Preset” then enter “Cali” . Follow the “calibration” to rectify.

3) No sound

Please make sure to exit IR Transmitter mode .

4) The remote controller does not work properly

Please make sure to remove obstacle.

Please make sure to aim at the window of receiving

Please replace a new battery in time

5) Bad TV image

6) The speaker is mute when IR TX is open or wire earphone is inserted.

Please search all TV channels then adjust the according TV system

※**Note** : Please contact with the dealer or approved service center help if the troubles can not be solved by the methods offered

## ● Technical Specification

Panel	TFT-LCD
Screen Size	7inch(16:9)
Pixel	480*3*234RGB
Temperature	Operation temperature -10°C-55°C;storage temperature -30°C-75°C
Backlight	Cold cathode Fluorescent Lamp
Brightness	250cd/m <sup>2</sup>
Color system	PAL/NTSC/Automatically
Discs	DVD,VCD,CD,MP3,MP4,CR-R,C,-RW,DVD-R,DVD-RW,DVCD,DIVX
Resolution	≥500
S/N	≥90db
Isolation	≥65db
Audio Input/Output	1.6V±20%
Video Input/Output	1vp_p±20%
Power supply	DC 12V±10%
Power consump	≤12W

### **Note :**

The design and specifications are subject to change without notice